

Ordering Information

- **Main unit:** 6420A OTDR
- **Standard configuration:**

No.	Name	Remark
1	6420A OTDR	With lithium battery
2	Power line assembly	Input voltage: 100~240V, 50~60Hz, 2.0A Output voltage: 15±0.5V Output current: ≥ 3A
3	User manual	
4	Certificate of conformity	
5	Portable soft bag of OTDR	

- **Main unit:** 6422 OTDR

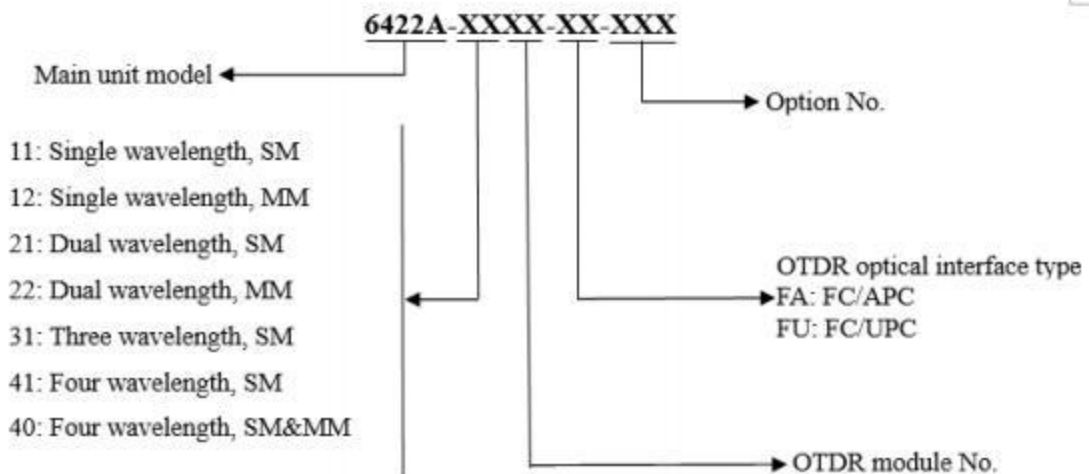
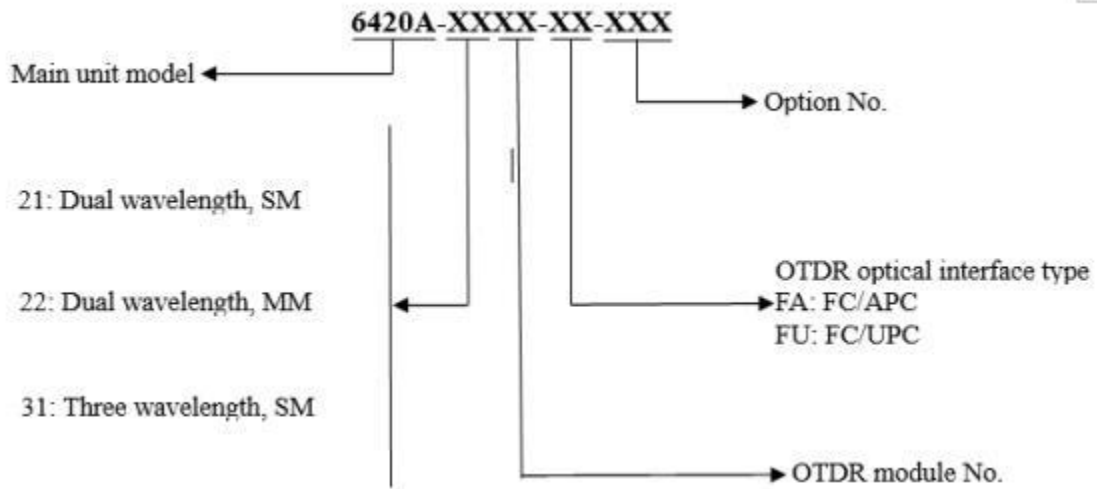
- **Standard configuration:**

No.	Name	Remark
1	6422 OTDR main unit	With lithium battery
2	6422 OTDR module	
3	Power line assembly	Input voltage: 100~240V, 50~60Hz, 2.0A Output voltage: 15±0.5V Output current: ≥ 3A
4	User manual	
5	Certificate of conformity	
6	Portable soft bag of OTDR	

- **Option:**

No.	Name	Model/Specification
6422-001	U disk	For 6420A&6422, ≥4GB
6422-002	SD card	For 6420A&6422, ≥8GB
6422-003	USB line	For 6420A&6422, length≥0.5m
6422-004	Spare battery	For 6422
6422-005	LC adapter	For 6420A&6422
6422-006	SC adapter	For 6420A&6422
6422-007	ST adapter	For 6420A&6422
6422-008	VFL	For 6422, wavelength: 650nm±20nm, output power≥2mW
6422-009	OPM	For 6422, wavelength: 850nm~1650nm, power range: -60dBm~+3dBm
6422-010	LS	For 6422, wavelength is the same as OTDR module, output power≥-5dBm
6422-011	Engineering plastic case	For 6422 
6422-012	Optical fiber end face test	For 6420A&6422, magnification≥200, USB port
6422-013	WIFI module	For 6420A&6422
6420A-001	Spare battery	For 6420A
6420A-002	VFL	For dual-wavelength 6420A module, wavelength: 650nm±20nm, output power≥2mW
6420A-003	LS	For 6420A, wavelength is the same as OTDR module, output power≥-5dBm

- **Ordering information:**



Note: 6422 main unit and OTDR module can be selected separately, one main unit can be matched with multiple OTDR modules; 6420A is single main unit.

Due to the design improvement requirement, the contents mentioned above can be modified without notice.